

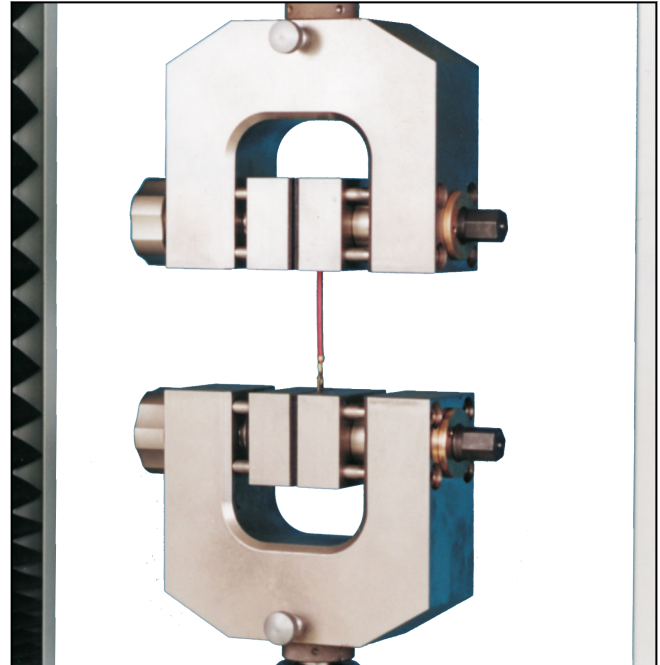
## Product Information

Screw grips, Types 8354 PL Fmax 5/10 kN and 8354, Fmax 10kN

CTA: 39443 39444



Screw grips, Type 8354, Fmax 10 kN



Screw grips, Type 8354 PL, Fmax 10 kN

### Applications

- Specimen material:  
metals, plastics, textiles, wood
- Specimen shape:  
round and flat specimens, asymmetrical specimens,  
sealed and glued specimens
- Type of loading:  
tensile, compression, alternating load

### Function description

This screw grip is a one-sided closing specimen grip. A lead screw is used to open and close the grips, as well as apply gripping force before the test.

The opposing jaw of the specimen grip can be adjusted steplessly.

### Advantages and features

- Adjustable opposing jaw for fast, easy testing, including joined (asymmetrical) specimens

- The use of ball bearings enables secure gripping of the specimen even at low operating forces.
- Large opening width enables flexibility in use.
- Ergonomic, open design for fast, easy specimen insertion and clamping
- Uniform, parallel closing/gripping via precision 4-column guides ensures specimen is held securely.

### Type 8354 screw grips: special features

- No tools required for jaw change; simply slide into grips from side. Jaws are centered and locked into place automatically.
- High temperature resistance (-70 to +250 °C) makes the grips ideal for use in temperature chambers.
- Integrated jaw mountings.

### Special features of Type 8354 PL screw grips

- Jaws are already included in the system.

## Product Information

Screw grips, Types 8354 PL F<sub>max</sub> 5/10 kN and 8354, F<sub>max</sub> 10kN

### Technical data

Item No.	320436	320440	318587	
Type	8354 PL <sup>1)</sup>	8354 PL <sup>1)</sup>	8354	
Test load F <sub>max</sub>	5	10	10	kN
Dimensions				
Height	125	125	135	mm
Width	225	225	222	mm
Depth	60	60	60	mm
<b>Jaws supplied</b>				
Gripping area				
Height	50	50	-	mm
Width	60	60	-	mm
Surface	Vulkollan, smooth	Steel, pr <sup>2)</sup> 0.7	-	
Hardness	95 Shore A	61 HRC	-	
Opening width, max. with jaws	25	25	25 <sup>3)</sup>	mm
Gripping of the specimen	The specimen must be gripped with at least 3/4 of the jaw height.			
Specimen dimensions				
Flat specimen, thickness	24	24	0 ... 25	mm
Round specimen, Ø		24	0 ... 25	
Weight per specimen grip, approx.	3.8	3.9	7	kg
Connection, stud	Ø 20	Ø 20	Ø 20	mm
Ambient temperature	+10 ... +35	+10 ... +35	-70 ... +250 <sup>4)</sup>	°C
Scope of delivery	1	1	2	piece

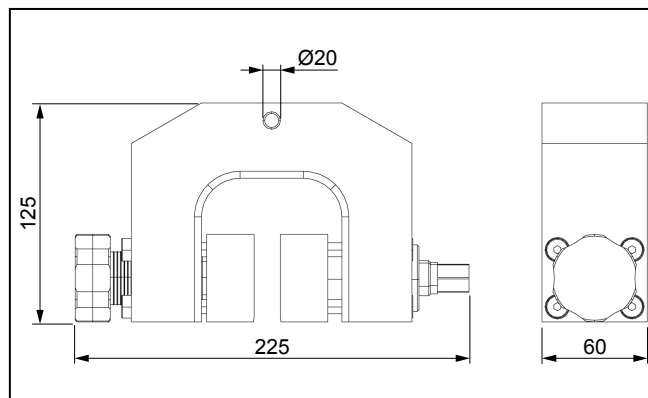
1) PL = ProLine

2) Pr = pyramid grid

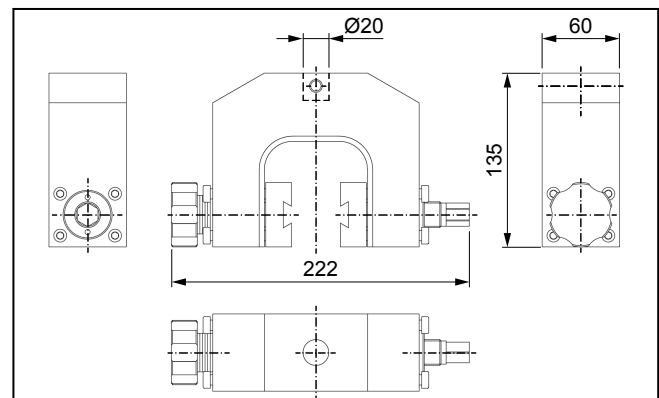
3) This opening width is the result of using jaws with 5 mm jaw strength.

4) The ambient temperature may be limited by a smaller jaw temperature range.

CTA: 39442 39446



Screw grips, Type 8354 PL: general view



Screw grips, Type 8354: general view

## Product Information

Screw grips, Types 8354 PL Fmax 5/10 kN and 8354, Fmax 10kN

### Accessories required

#### Jaws required for Type 8354:

Type 8487 jaws