

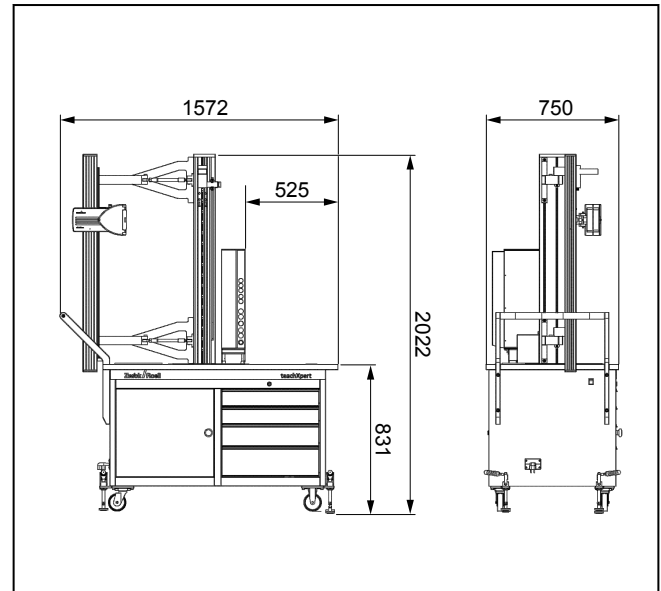
## Product Information

### teachXpert University Package

CTA: 212716 209076



teachXpert (image similar)



teachXpert dimensions

#### Applications

Tensile test on plastics, metals, and other materials

#### Function description

Mobile testing system for teaching purposes.

The testing system can easily be transported to any lecture hall or classroom via a cart. In addition to a testing system and cart, the teachXpert package includes a PC, an optical extensometer and specimen grips. All required ports, such as for the connection of an LCD projector, are easily accessible.

The entire test can be shown live on the screen. In this way the materials testing becomes an integral part of the lesson, bringing it alive for the students.

Tests can be prepared to the extent that it is simply a matter of calling them up when in the lecture hall. With prepared specimen material, the effort required is then reduced to pushing a button.

#### The mobile testing system consists of the following components:

- zwickiLine Z2.5 TN materials testing machine
- Xforce P load cell, Fmax 2.5 kN
- videoXtens extensometer
- Lens, 25 mm focal distance
- Mount for attaching videoXtens to a zwickiLine

- Incident light lamp for videoXtens, LED 300 mm
- videoXtens software package
- videoXtens basic package (workstation)
- Pair of wedge grips, type 8201, Fmax 2.5 kN
- Steel jaw inserts, fish scale 0.75 mm, specimen thickness 0 to 10mm, gripping area 40 x 32 mm, ambient temperature -40 to +250 °C
- testXpert All-In Suite Education
- Cart

#### Advantages and features

- Practice-oriented, exciting lectures presented with live tests in any lecture hall or classroom
- State-of-the-art training technology
- Can be used for follow-up hands-on training in the laboratory
- videoXtens for non-contact strain measurement, with videoCapturing to record the test
- Integrated PC for performing, recording and documenting the test
- Presentations accompanying the lecture can be connected directly on the cart via USB stick and shown in parallel
- Standard-compliant testing with more than 600 prepared standard test programs from the testXpert III All-In-Suite Education
- All testXpert III functions are available

PI 891 0120

## Product Information

### teachXpert University Package

CITA: 98200

