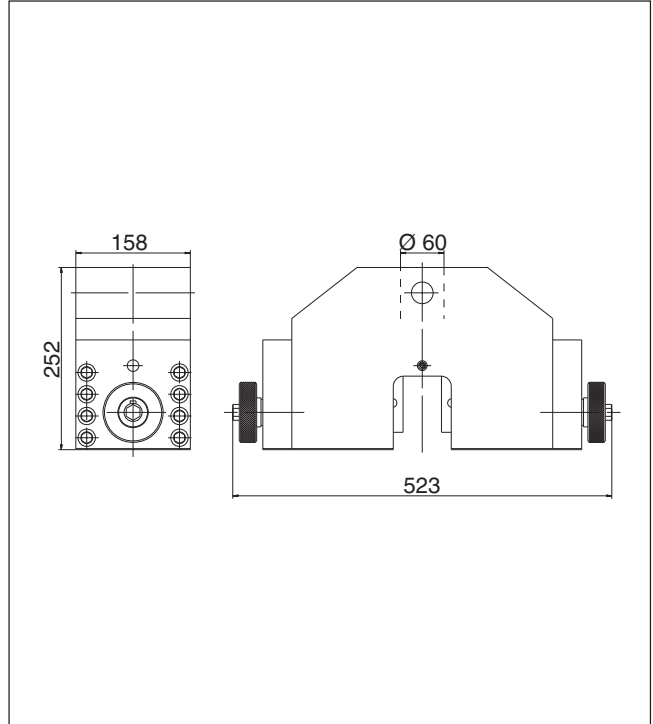
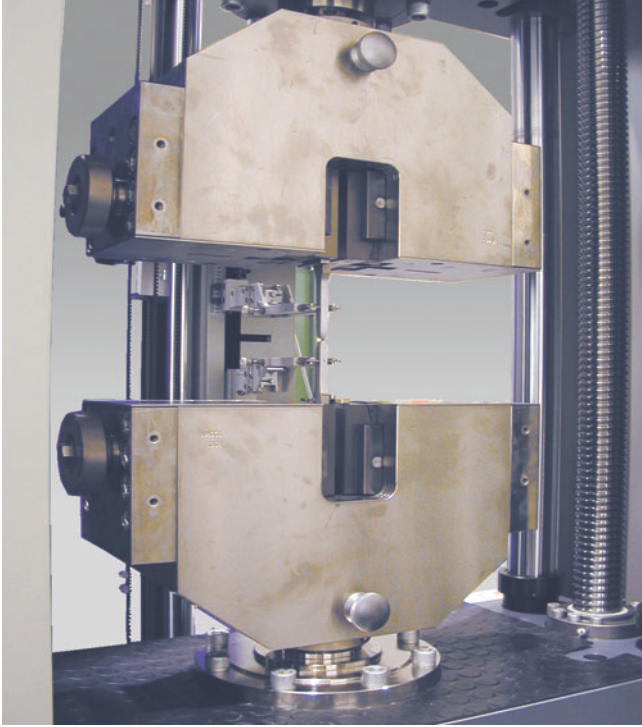


Product Information

Manual wedge screw grips type 8507, Fmax 250 kN



Applicational range

Specimen material: Ferrous and non-ferrous metals, hard and reinforced plastics, wood and similar materials
Specimen shape: Round and flat specimens (strips and dumbbells)

Type of loading: Tensile load

Operating principle and handling

These grips are a complete mechanical variant with manual opening/closing of the grips.

Advantages/characteristics

- Synchronization can be switched on/off as required, allowing both symmetrical and asymmetrical clamping using the wedge-screw grips (e.g. when testing bonded shear specimens)
- Easily adjusted asymmetry remains as set even with re-clamping, allowing one-handed operation (left or right hand) with asymmetrical specimens also – the specimen joint is always located in the test axis
- Simple change of jaw inserts without the need of tools
- Plane jaws are equipped with a specimen stop
- With the optional mounting unit small load cells, grips, tools and test devices can be connected quickly and efficiently without the need for exchanging grips

Product Information

Manual wedge screw grips type 8507, Fmax 250 kN

Item number	318596
Type	8507
Fmax	250 kN
Opening/closing	manual
Gripping force at Fmax	482.5 kN
Dimensions	523 / 252 / 158 mm
Specimen gripping	The specimen must be gripped by at least 1/2 of the jaw height.
Max. opening width at symmetrical gripping	65 mm
Weight per grip (without jaws)	108 kg
Weight per jaw, approx.	2.3 kg
Connection diameter	60 mm
Temperature range	-40...+250 °C ⁽¹⁾
Scope of supply	1 pair

⁽¹⁾ The temperature range may be limited by a smaller temperature range of the jaws

Accessories optional

Description	Item Number
Connecting wedges with thread M28 x 1.5 for connecting mounting studs dia 8, 20, 36 mm or load cells, as well as centring dia 30 H7 for connection of mounting unit, mounting flange or mounting stud dia 60 mm. Scope of supply: 1 pair.	318600
Mounting stud dia. 60 mm	314062
Mounting unit for connecting flexure table, upper unvil holder or compression test kits	314058
Mounting flange (Fmax 250 kN) for connecting fluxure tables	314060

Jaws (1x required)

Scope of supply for all items: 1 set (= 4 pieces)

Applicational range	Design	Specimen thickness/dia.	Gripping area (H x W)	Temperature range	Hardness	Item number
Plane jaws						
Metal, wood, fibre reinforced plastics	Steel, Fsc 0.4	0 ... 64 mm	100 x 80 mm	-70...+250 °C	61 HRC	318602
	Steel, Fsc 0.75	0 ... 64 mm	100 x 80 mm	-70...+250 °C	61 HRC	318604
	Steel, Fsc 1.25	0 ... 64 mm	100 x 80 mm	-70...+250 °C	61 HRC	318606
Grip sensitive materials	Steel, diamond coated	0 ... 64 mm	100 x 80 mm	-70...+250 °C	-	318608
Hard metals	Hard metal, Pr 0.7 mm	0 ... 48 mm	80 x 50 mm	-70...+250 °C	1250 HV	320034
Here are required: Jaw mountings especially for these jaw inserts						320036
Prism jaws (with V-groove)						
Round specimen: metal, wood, fibre reinforced plastics	Steel, St 1.5	dia. 4 ... 10 mm	100 mm ⁽¹⁾	-70...+250 °C	61 HRC	318610
	Steel, St 1.5	dia. 10...30 mm	100 mm ⁽¹⁾	-70...+250 °C	61 HRC	318612
	Steel, St 1.5	dia. 30...60 mm	100 mm ⁽¹⁾	-70...+250 °C	61 HRC	318614
	Steel, St 1.5	dia. 40...80 mm	120 mm ⁽¹⁾	-70...+250 °C	61 HRC	318616
Round specimen: Hard metals	Hard metal, Pr 0.7 mm	dia. 4...10 mm ⁽²⁾	80 mm ⁽¹⁾ dia. 10...30 mm	-70...+250 °C	1250 HV	325572
Here are required: Jaw mountings especially for these jaw inserts						325573

Fsc = Fish scale, St = Saw tooth, Pr = Pyramid

⁽¹⁾ Since these are prism jaws with V-groove, we indicate here the gripping length

⁽²⁾ These prism jaws have crosswise arranged V-grooves for different specimen diameters