

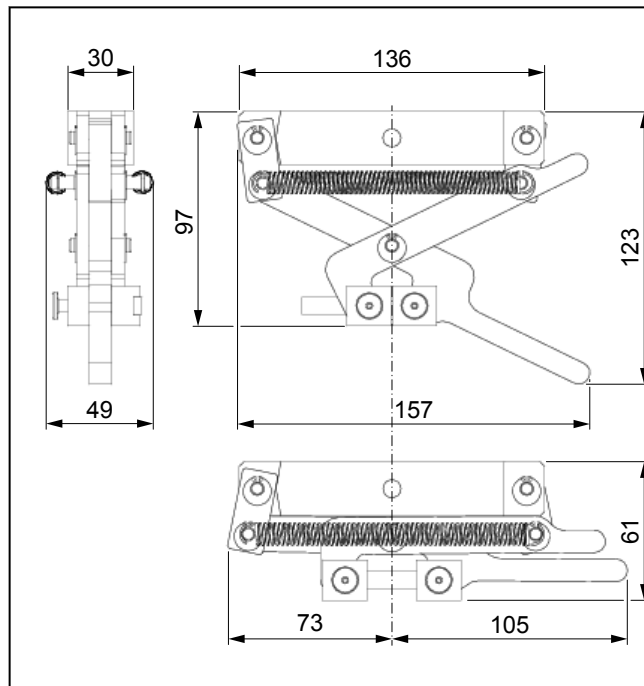
Product Information

Pincer grips, Type 8222, Fmax 2.5 kN

CTA: 39787 32552



Pincer Grips, Type 8222, Fmax 2.5 kN



Type 8222 pincer grips, Fmax 2.5 kN: general view

Applications

- Specimen material:
elastomers, soft plastics
- Specimen shape:
flat specimens
- Type of loading:
tensile

Function description

The pincer grip is a double actuator grip. The pincer grip is opened and closed via a clamping lever.

The prestressed spring holds the specimen grip open for specimen insertion. If the specimen grip is closed, the prestressed spring generates the required gripping force.

The gripping force is increased proportionally by the pincer principle as the tensile force increases. This

ensures automatic retightening for specimens prone to shrinkage.

The jaws are retained by a locking pin and are easy to change.

Advantages and features

- Secure specimen gripping through gripping force increasing proportionally to tensile force
- The lateral mobility of the pincer grips allows specimens always to be loaded centrally to the test axis.
- Ergonomic, open design for fast, easy specimen insertion and clamping
- The grips are easy to operate in a temperature chamber and reach the test temperature quickly thanks to their very low mass.

Product Information

Pincer grips, Type 8222, F_{max} 2.5 kN

Technical data

Item No.	316286	316296	
Type	8222	8222	
Test load F _{max}	2.5	2.5	kN
Dimensions			
Height	97	97	mm
Height (open)	61	61	mm
Width	157	157	mm
Width (open)	178	178	mm
Depth	49	49	mm
Opening width, max.	20	20	mm
Specimen gripping	The specimen must be gripped over at least 3/4 of the jaw height.		
Weight per grip unit, approx.	1.2	1.2	kg
Connection, mounting stud	Ø 20	Ø 20	mm
Ambient temperature	-40 to +250	-40 to +250	°C
Scope of delivery	2	1	pieces

Accessories required

Grip inserts for Type 8222 (1x required per grip)

Scope of delivery: 1 pair

Range of application	Version	Gripping area (H x W) [mm]	Ambient temperature [°C]	Hardness (hardened surfaces)	Item No.
Elastomers, soft plastics	Steel, st ¹⁾ 1.5 mm	18 x 30	-40 to +250	700 HV	316288
Elastomers, soft plastics with linear support	Steel, convex, pr ²⁾ 0.5	30 mm wide	-40 to +250	700 HV	316290
Plastics	Aluminum oxide, 60 coarse	18 x 30	-40 to +80	-	316292
Solid elastomers with surfaces prone to slippage, specimen shape S3A	Steel, st ¹⁾ 1.5 mm, relief ground	8 x 30	-40 to +250	700 HV	317231
Elastomers, soft plastics	Steel, st ¹⁾ 1.5 mm	18 x 50	-40 to +250	700 HV	317145

1) St= saw tooth

2) Pr = diamond pattern