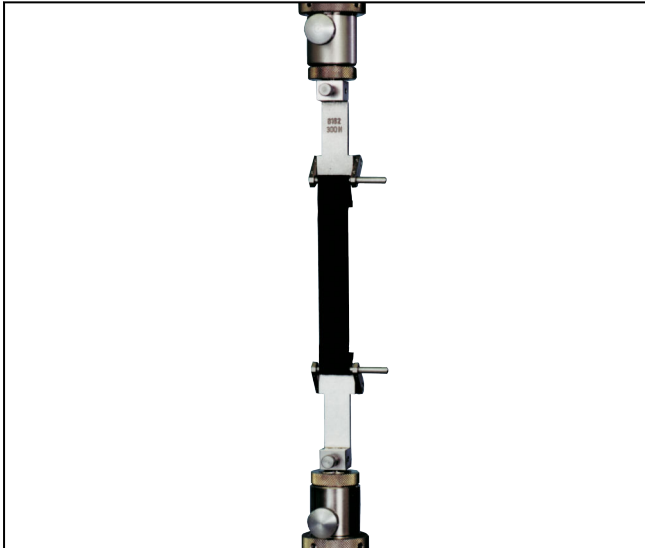


Product Information

Toggle Grips Type 8162 Fmax 300 N and Type 8262 Fmax 2,5 kN

CTA: 39797 39799



Toggle grips type 8162, Fmax 300 N



Toggle grips type 8262, Fmax 2.5 kN

Applications

- **Specimen material:**

Plastics, elastomers, textiles

- **Specimen shape:**

Strip specimens

- **Type of loading:**

Tensile

Function description

Toggle grips use a self-gripping toggle lever to grip the specimen. The toggle lever is raised and the specimen is typically inserted around the toggle lever. In some cases, however, the specimen deflection is not necessary.

The toggle lever is raised and the specimen is typically inserted around the toggle lever. In some cases, however, the specimen deflection is not necessary. In the process, the specimen is usually wrapped around the toggle lever. However, some specimens can be inserted without this redirection.

Advantages and features

- Low overall height and a temperature range of -15 to +80°C make the specimen grips ideal for use in temperature chambers
- Design ensures fast, easy specimen gripping

Product Information

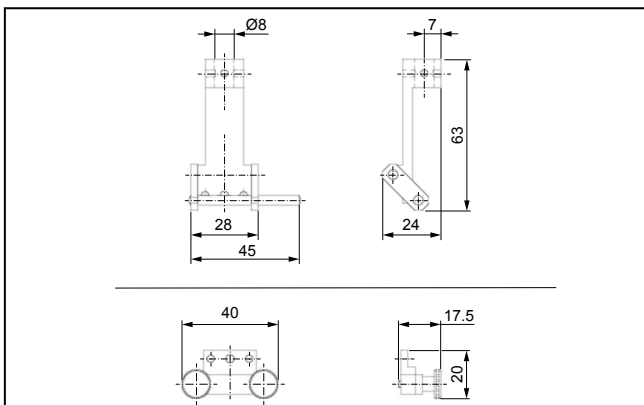
Toggle Grips Type 8162 F_{max} 300 N and Type 8262 F_{max} 2,5 kN

Technical data

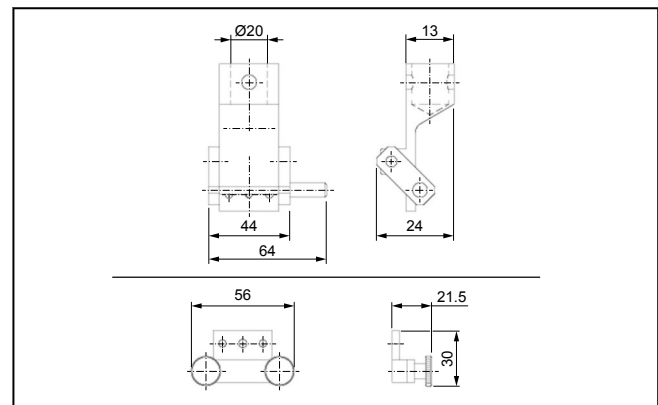
Type	8162	8262	
Item No.	313350	313436	
Test load F _{max}	0.3	2.5	kN
Dimensions			
Height	63	80	mm
Height with clamp ¹⁾	73	94	mm
Width	28	44	mm
Width with toggle lever pin	45	64	mm
Depth	24	42	mm
Clamping width (= specimen width, max.)	22	32	mm
Diameter of the clamping roller	4	8	mm
Specimen thickness	0 ... 3	0 ... 5	mm
Connection, bolt	Ø 8	Ø 20	mm
Weight per specimen grip, approx.	0.09	0.26	kg
Ambient temperature	-15 ... +80	-15 ... +80	°C
Scope of delivery	2	2	pieces

1) See optional accessories

CTA: 39800 51604 39798 51603



Toggle grips type 8162 and clamp, F_{max} 300 N, overview



Toggle grips type 8262 and clamp, F_{max} 2.5 kN, overview

Optional accessories

Description	Item number
Clamp for alternative insertion, specimen clamping via screw clamp (mounted on specimen grips), width 40 mm, gripping surfaces steel, smooth	313352
Description	Item number
Clamp for alternative specimen clamping via screw clamp (mounted on specimen grips), width 56mm, gripping surfaces steel, smooth	313846