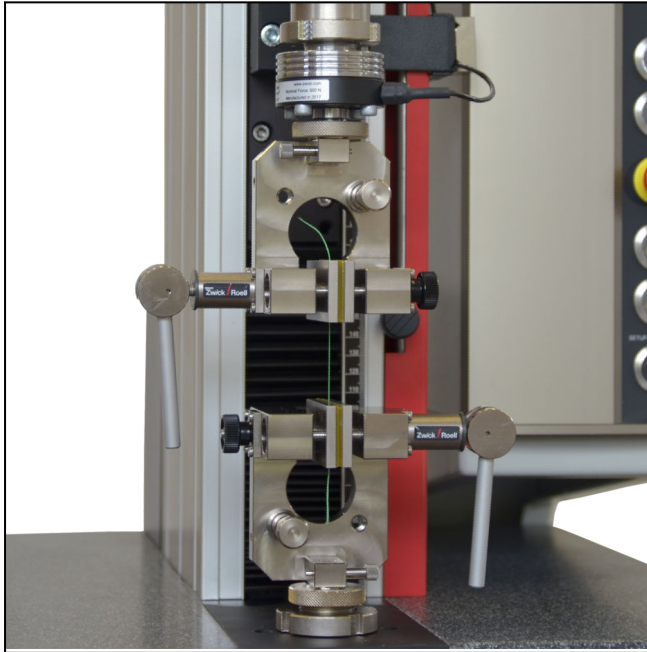


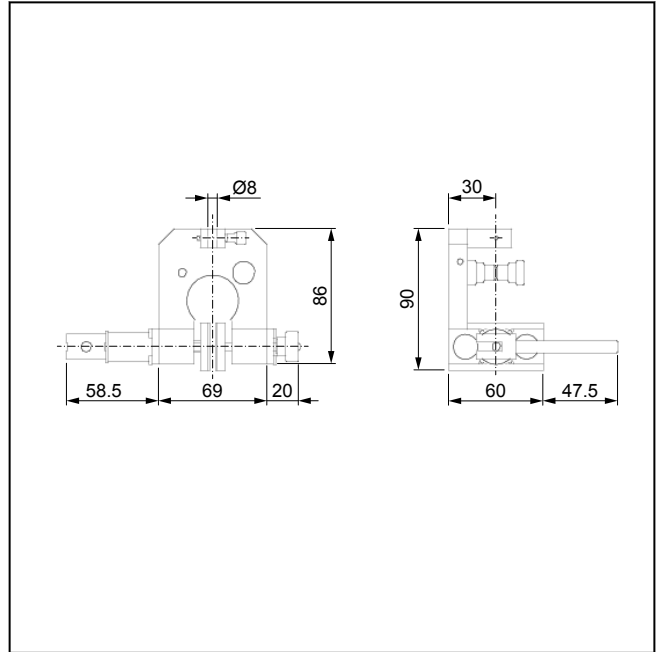
Product Information

Spring loaded grips Type 8125, Fmax 50 N

CTA: 39394 39395



Type 8125 spring-loaded grips, Fmax 50 N



Type 8125 spring-loaded grips, Fmax 50 N

Applications

- Specimen material:
Metal, plastics, textile, paper
- Specimen shape:
Round and flat specimens
- Type of loading:
Tensile

Function description

These spring-loaded grips are single-actuator grips. Opening and closing plus application of gripping force prior to the test is via a clamping lever.

A pre-loaded spring ensures constant gripping force. The pre-load can be set to suit the application beforehand.

The opposing jaw features stepless adjustment.

Advantages and features

- Precise test results with a high number of cycles that is achieved with the centering aid for inserting wires and threads.
- With the constant gripping force repeatable test results can be attained.
- Fast and easy insertion and gripping of the specimen due to the ergonomic and open design.
- With the lightweight construction of the specimen grip, the measurement range of the load cell can be optimally utilized.

Product Information

Spring loaded grips Type 8125, Fmax 50 N

Technical data

Item No.	318674	318676	
Type	8125	8125	
Test load F _{max}	0.05	0.05	kN
Dimensions			
Height	80	80	mm
Width			
without screw for clamping	77	77	mm
with screw for clamping	218	218	mm
Depth			
without screw for clamping	60	60	mm
with screw for clamping	155	155	mm
Opposing jaw adjustment, approx.	stepless, 4	stepless, 4	mm
Opening width, max. with jaws	8	8	mm
Specimen gripping	The specimen must be gripped over the entire jaw height.		
Weight			
Top grips	0.35	0.35	kg
Bottom grips	0.35	0.35	kg
Connection, stud	Ø 8	Ø 8	mm
Ambient temperature	0 to 80	0 to 80	°C
Scope of delivery	2	1	pieces
Jaws included			
Surface	Vulkollan, smooth	Vulkollan, smooth	
Gripping area (H x W)	30 x 60	30 x 60	mm
Hardness	95 Shore A	95 Shore A	