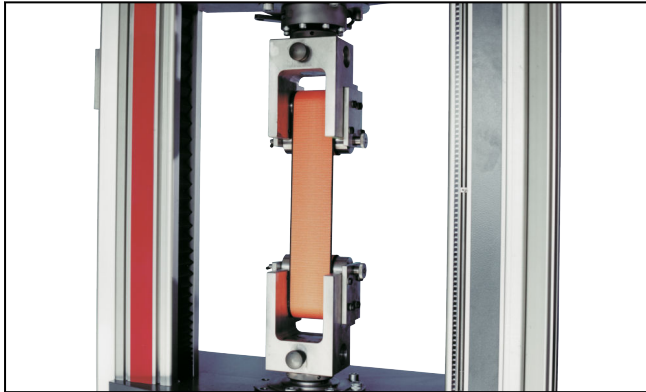


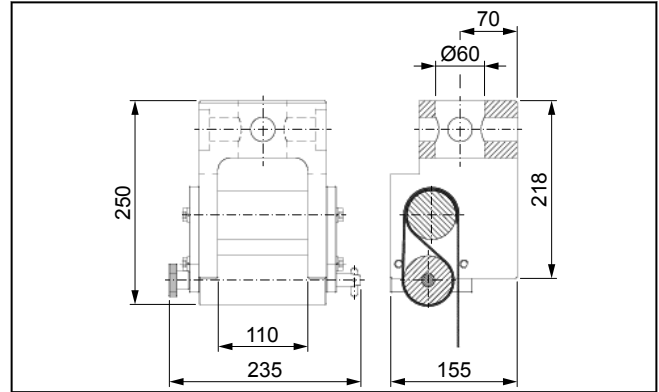
## Product Information

### Roller grips, Type 8563 Fmax 100 kN

CTA: 40227 40322



Roller grips, Type 8563 (Fmax 100 kN)



Type 8563 roller grips, Fmax 100 kN, general view

#### Applications

- Specimen material:  
textiles
- Specimen shape:  
strips (belt, strap)
- Type of loading:  
tensile

#### Function description

These roller grips are used for testing tensile strip specimens.

In tests with these grips optical extensometers are used for accurate strain measurement.

The self-clamping action of the grips is generated by multiple looping of the specimen and the application of tensile force.

#### Advantages and features

- Low overall height of the specimen grips allows specimens with large elongations to be tested.
- Suitable for tests in temperature chambers
- The grips are suitable for clamping-sensitive specimens.

## Product Information

Roller grips, Type 8563 Fmax 100 kN

### Technical data

Type	8563	
Item No.	315276 <sup>1)</sup>	
Test load F <sub>max</sub>	100	kN
Dimensions		
Height	250	mm
Width	235	mm
Depth	155	mm
Roller diameter	60	mm
Roller width (= clamping width)	110	mm
Roller surface	steel, smooth	
Specimen thickness, max.	4	mm
Specimen width, max.	-	mm
Specimen length, min.	1400	mm
Weight per specimen grip, approx.	11	kg
Connection, mounting stud	Ø 60	mm
Ambient temperature	-40 to +250	°C
Scope of delivery	2	pieces

1) Only in connection with load cell Xforce K