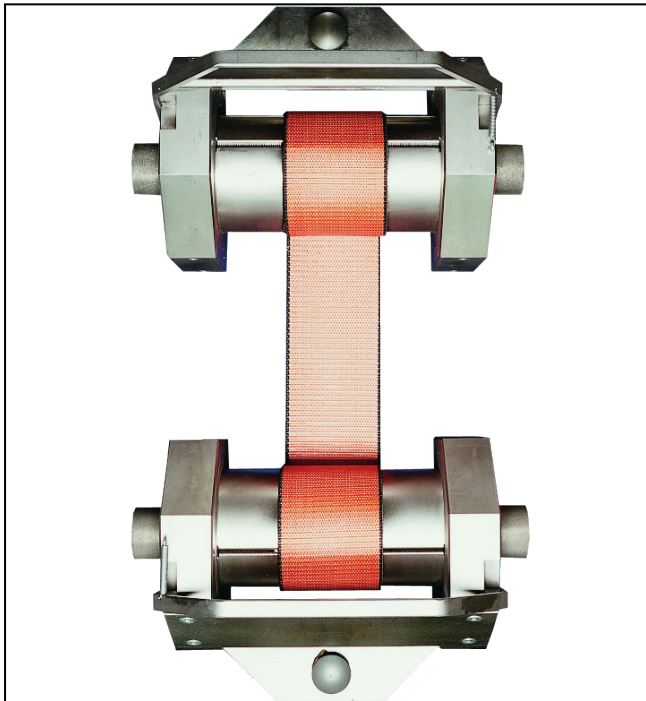


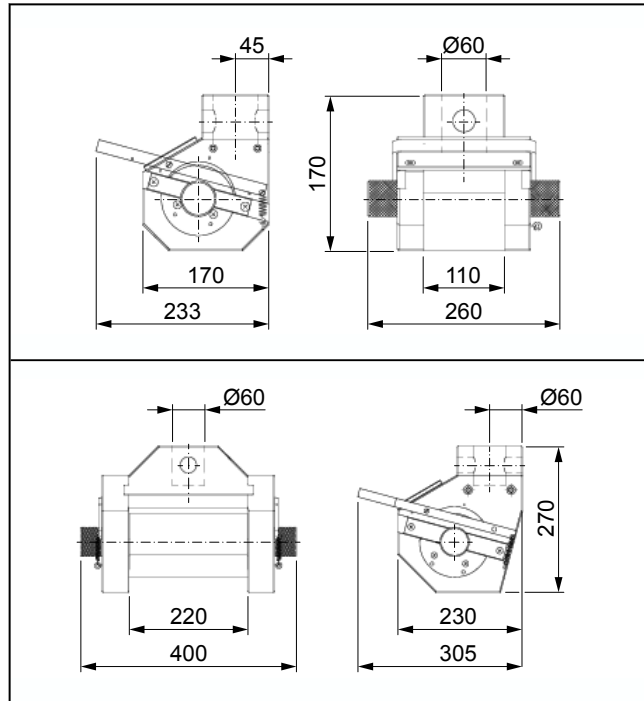
## Product Information

Roller Grips, Type 8564 Fmax 100, Type 8566 Fmax 250 kN

CTA: 40323 40321 40228



Type 8566 roller grips, Fmax 250 kN



General view: Type 8566 roller grips, Fmax 100 kN and Fmax 250 kN

### Applications

- Specimen material: textiles
- Specimen shape: strips (belt, strap)
- Type of loading: tensile

### Function description

These roller grips are used for testing tensile strip specimens.

In tests with these grips optical extensometers are used for accurate strain measurement.

The self-clamping action of the grips is generated by multiple looping of the specimen and the application of tensile force.

The specimen is inserted into a split roller from the front. The looping occurs with the rotation of the roller.

The specimen grip locking bars are monitored for safety in conjunction with the machine electronics.

### Advantages and features

- Ergonomic design for fast, easy specimen insertion
- Low overall height of the specimen grips allows specimens with large elongations to be tested.
- Suitable for tests in temperature chambers
- The grips are suitable for clamping-sensitive specimens.

## Product Information

Roller Grips, Type 8564 Fmax 100, Type 8566 Fmax 250 kN

### Technical data

Item No. Type	313748 <sup>1)</sup> 8564	313840 <sup>1)</sup> 8566	
Test load F <sub>max</sub>	100	250	kN
Dimensions			
Height	210	270	mm
Width	260	400	mm
Depth	170	230	mm
Depth with lever	233	305	mm
Roller dimensions			
Diameter	100	130	mm
Width (clamping width)	110	220	mm
Surface	Steel, pr <sup>2)</sup> 1 mm	Steel, pr <sup>2)</sup> 1.5 mm	
Specimen dimensions			
Flat specimen, thickness	8	10	mm
Width, max.	110	220	mm
Length, min.	1000	1000	mm
Weight per specimen grip, approx.	24	63	kg
Connection, stud	Ø 60	Ø 60	mm
Ambient temperature	+10 ... +35	+10 ... +35	°C
Scope of delivery	2	2	pieces

1) Only in connection with Xforce K load cell

2) Abbreviations: Pr = pyramid grid