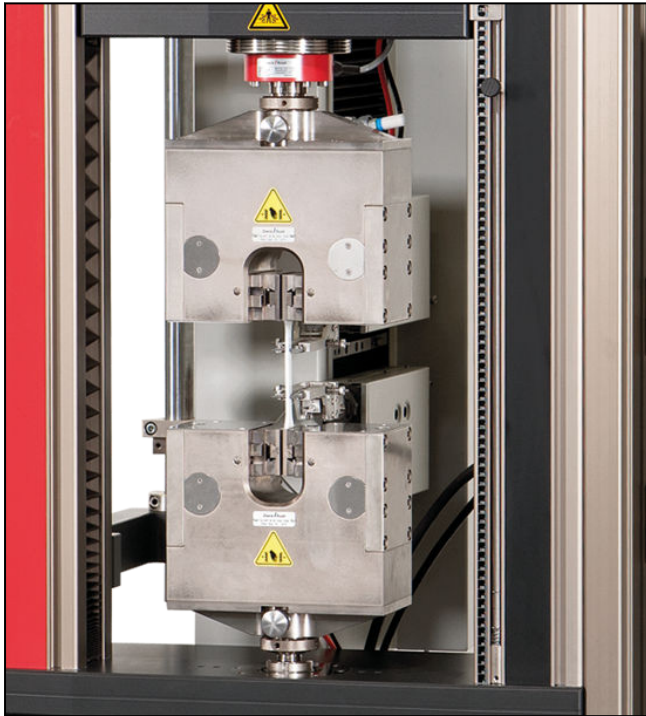


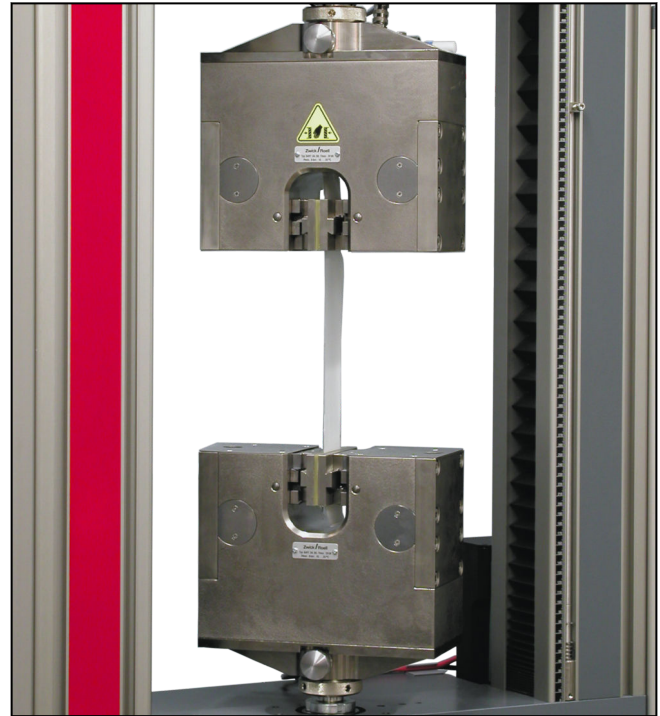
Product Information

Pneumatic grips, Type 8397 Fmax 10 kN and Type 8497 Fmax 20 kN

CTA: 42581 39594



Pneumatic grips type 8397, Fmax 10 kN



Pneumatic grips type 8497, Fmax 20 kN

Applications

- Specimen material:
plastics, metals, paper, textiles, elastomers, wood
- Specimen shape:
round and flat specimens
- Type of loading:
tensile, compression, alternating load

Function description

Pneumatic grips are double acting and can be used for symmetrical gripping.

Pneumatic specimen grips are ideal for clamping-sensitive materials or if a high specimen throughput is required. The gripping force always remains constant, regardless of test load.

The gripping pressure for the specimen grip can be set steplessly and reproducibly via a pneumatic control unit and optionally via the testXpert III testing software. The specimen is held securely and jaw breaks are prevented during the test.

The specimen grip is opened and closed via buttons on the testing machine. The optional foot pedal unit or machine remote control can be used for additional operating convenience.

Double-actuator pneumatic grips always close symmetrically with respect to the tensile axis. This means the specimen is clamped in a precise axial position. It is not necessary to set the specimen thickness.

The closing force is initialized via a centrally positioned pneumatic actuator. It transfers the closing movement via a steering lever to the symmetrical closing jaws.

A position-independent switching device is integrated into the specimen grips, which automatically switches the transmission ratio to apply the gripping force as soon as the jaws hit the specimen. It switches from a small transmission to a large transmission, thus, reaching very large gripping forces in instances in which sizes are compact. The gripping distance varies depending on specimen thickness and the current opening width. There is a resulting linear relationship (see diagram).

Advantages and features

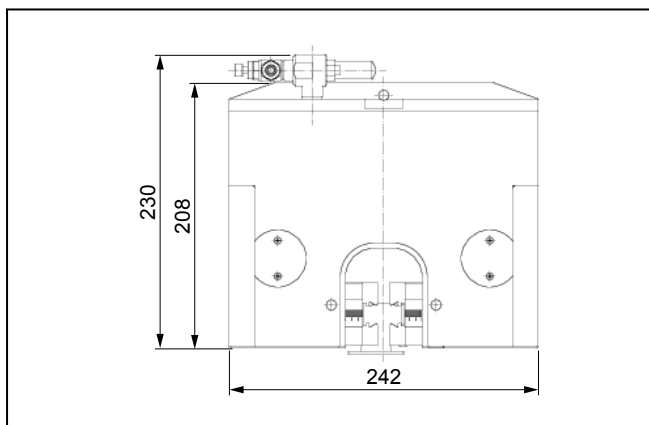
- The symmetrically closing jaws save time required for adjusting to varying specimen thicknesses and ensure that the specimen is held exactly in the test axis.
- The jaws can be changed quickly and easily for different applications - no tools required. The jaws are centered automatically.

Product Information

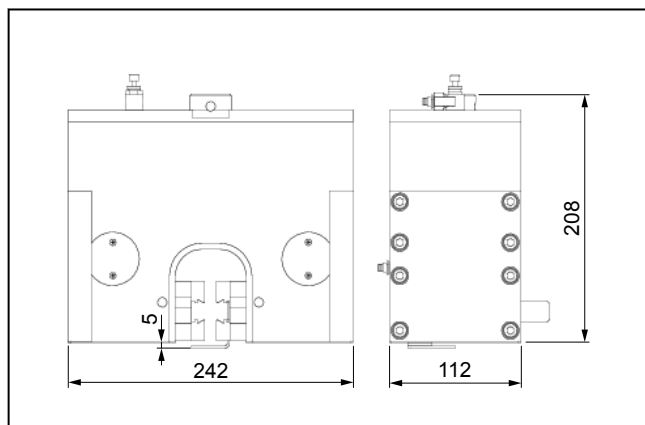
Pneumatic grips, Type 8397 Fmax 10 kN and Type 8497 Fmax 20 kN

- Precise test results combined with high number of cycles achieved through centric insertion of specimen using easily adjustable centering stop.
- Constant gripping force enables repeatable test results to be achieved.
- Constant pneumatic pressure allows even specimens prone to shrinkage to be held securely.
- Save time by attaching small specimen grips and test fixtures to large specimen grips quickly and easily via T-slot systems. The precise alignment ensures reliable test results.
- Ergonomic, open design for fast, easy specimen insertion and clamping

CTA: 39588 33366

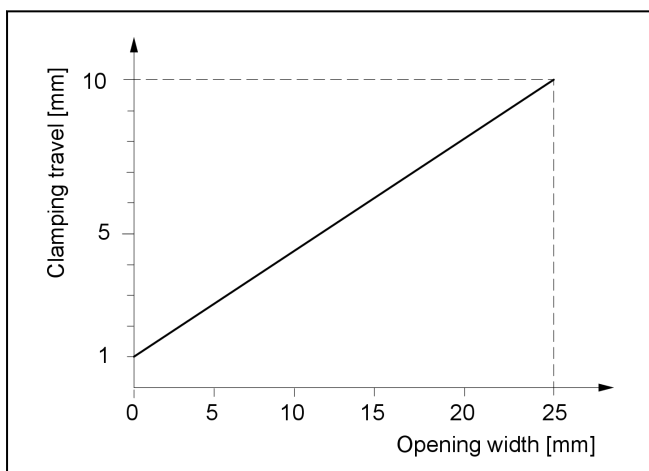


Pneumatic grip type 8397, Fmax 10 kN, overview



Pneumatic grip type 8497, Fmax 20 kN, overview

CTA: 33606



Pneumatic grips type 8397/8497, ratio of opening width/gripping travel

Product Information

Pneumatic grips, Type 8397 F_{max} 10 kN and Type 8497 F_{max} 20 kN

Technical data

Item No. Type	1106797 ¹⁾ 8397	1106798 ¹⁾ 8497	
Test load F _{max}	10	20	kN
Gripping force, max. at 6 bar	27	27	kN
Gripping force, max. at 10 bar	45	45	kN
Operating pressure	3 ... 10	3 ... 10	bar
Dimensions			
Height	208	225	mm
Height with connection unit	230	247	mm
Width	242	242	mm
Depth	112	112	mm
Depth with connection unit/overhang	162	162	mm
Gripping travel ²⁾	10	10	mm
Opening width, max. with jaws, thickness 5 mm	25	25	mm
Gripping of the specimen	The specimen must be gripped with at least 2/3 of the jaw height.		
Weight per specimen grip, approx.	14	14	kg
Connection, stud	Ø 20	Ø 36	mm
Ambient temperature	+10 ... +35	+10 ... +35	°C
Scope of delivery	2	2	piece(s)

1) Recommended and approved for strain rate control to standards DIN EN ISO6892-1:2009 and ASTM E8-09.

2) See the diagram that depicts the correlation between the gripping stroke and the specimen thickness/opening width

Accessories required

Pneumatic hoses (1x required)

Description	ArticleNumber
Set of pneumatic hoses for connecting a pair of pneumatic grips to a pneumatic control unit	1112640

Pneumatic control unit

See section 4.6 Accessories

Jaws

Type 8487

Optional accessories

Pressure amplifier

Description	ArticleNumber
Pressure amplifier for increasing operating pressure, max. input pressure 10 bar, pressure ratio 1:2, flow rate 900l/min, output pressure 2 - 10 bar. For installation in control unit line.	315016
Pressure amplifier for increasing operating pressure, max. input pressure 10 bar, pressure ratio 1:2, flow rate 400l/min, output pressure 2 - 20 bar. For installation in control unit line.	315018

Product Information

Pneumatic grips, Type 8397 Fmax 10 kN and Type 8497
Fmax 20 kN

Mounting unit

Description	ArticleNumber
Mounting unit for Types 8397 and 8497 pneumatic grips <ul style="list-style-type: none">• Thread M28x1.5• Bush, Ø 16 H7, for attaching smaller load cells (Fmax < 30 kN), specimen grips or test fixtures (mounting stud and adapter required) Scope of delivery: 2 pieces Jaw mounting required (Item No. 317615)	317617