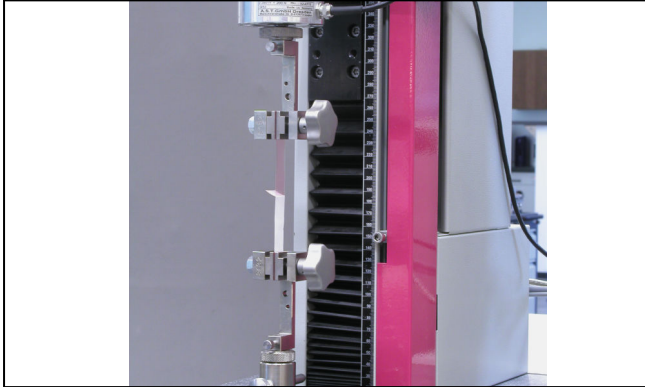


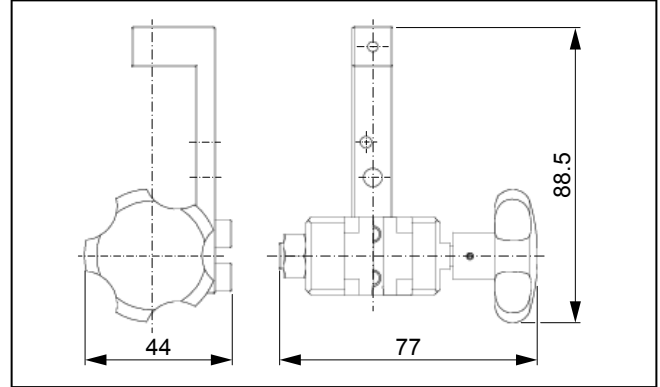
Product Information

Screw grips, Type 8132, Fmax 500 N

CTA: 39416 31902



Type 8132 screw grips, Fmax 500 N



Type 8132 screw grips, Fmax 500 N

Applications

- Specimen material:
metals, plastics, paper
- Specimen shape:
flat specimens, sealed and glued specimens
- Type of loading:
tensile

Function description

This screw grip is a one-sided closing specimen grip. A lead screw is used to open and close the grips, as well as apply gripping force before the test.

The opposing jaw of the specimen grip is fixed.

Advantages and features

- The lightweight design of the grips allows extensive use to be made of the load cell measurement range.
- The base unit acts as a centering stop for 15mm-wide strip specimens.

Product Information

Screw grips, Type 8132, Fmax 500 N

Technical data

Item No.	313320	313322	
Type	8132	8132	
Test load F _{max}	500	500	N
Dimensions			
Height	88.5	88.5	mm
Width	77	77	mm
Depth	44	44	mm
Specimen width, max.	15	15	mm
Opening width, max.	3	3	mm
Specimen gripping	The specimen must be gripped over at least 3/4 of the jaw height.		
Weight per specimen grip, approx.	0.25	0.25	kg
Connection, pin	Ø 8	Ø 8	mm
Ambient temperature	-70 to +250	-15 to +80	°C
Scope of delivery	2	2	pieces
Jaws included			
Surface	steel, smooth	Vulkollan, smooth	
Gripping area (H x W)	23 x 16	23 x 16	mm
Hardness	200 HB	95 Shore A	