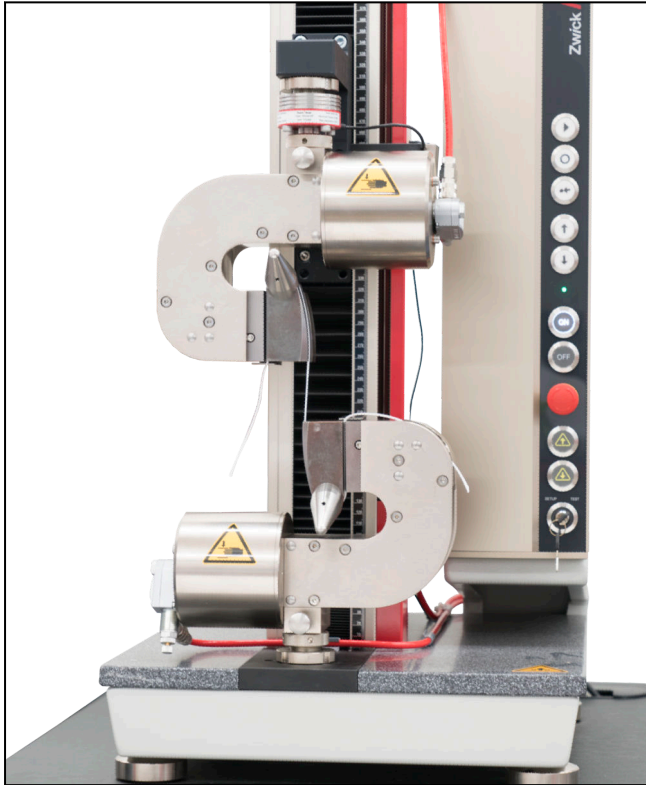


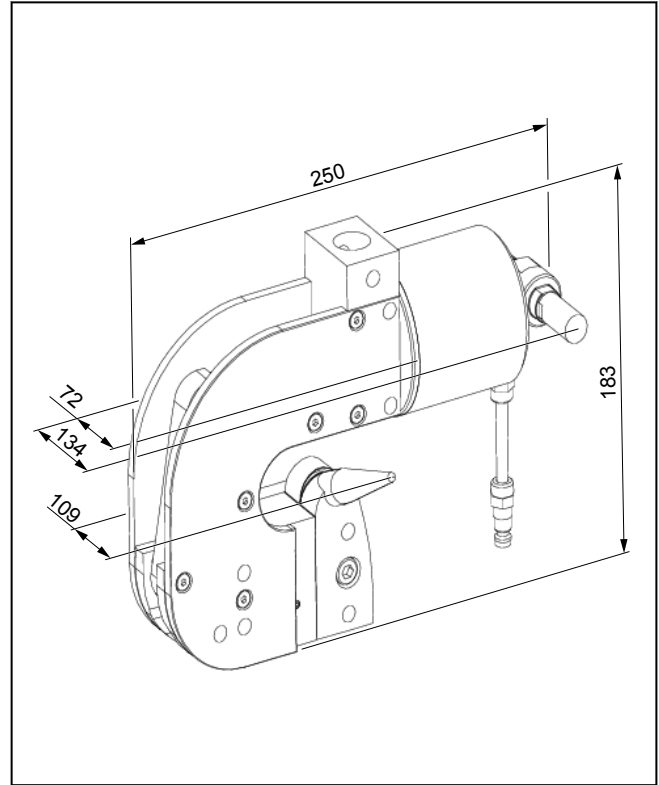
## Product Information

### Capstan grips type 8297 Fmax 2.5 kN, pneumatic

CTA: 168206 33355



Capstan grips for tire cords type 8297, Fmax 2.5 kN



Capstan grips for tire cords type 8297 Fmax 2.5 kN, general view

#### Applications

- Specimen material:  
textiles, plastics
- Specimen shape:  
single and ply yarn, twine, multifilaments
- Type of loading:  
tensile
- Standard:  
tire cord to ASTM D885, single and ply yarn to ISO 2062

#### Function description

These pneumatic grips for yarn and tire cord are single-actuator grips for clamping fibrous or filamentary tensile specimens.

The load-reduction curve with 180° deflection gently reduces the tensile force before the clamping point. Pneumatic clamping ensures constant gripping force with easy, reproducible adjustment. The specimen is held securely and jaw breaks during the test are avoided.

The force reduction curve with 180° deflection allows a defined grip-to-grip separation to be assumed, eliminating the need for an extensometer.

An insertion aid and depth limit stop ensure quick, easy specimen insertion.

#### Advantages and features

- Secure holding of the specimen ensures reliable test results, even with specimens prone to shrinkage.
- High specimen throughput thanks to quick specimen insertion and exact centering with insertion aid and guide groove.
- Fast, easy two-handed specimen change - grips operated via foot control unit.
- The load-reduction curve ensures gentle gripping with no jaw breaks.
- The symmetrical weight distribution of the grips ensures accurate force measurement.

## Product Information

Capstan grips type 8297 F<sub>max</sub> 2.5 kN, pneumatic

### Technical data

Type Item No.	8297 326020	
Operating principle/feature	pneumatic, single-actuator	
Test load F <sub>max</sub>	2.5	kN
Closing force at 6 bar	5.8	kN
Pressure, min.	3	bar
Pressure, max.	10	bar
Dimensions		
Height	183	mm
Width	215	mm
Depth	72	mm
Depth with insertion aid	109	mm
Depth with insertion aid and connection unit	134	mm
Opening width, max.	4	mm
Weight per grip unit, approx.	4	kg
Connection, stud	Ø 20	mm
Ambient temperature	+15 to +35	°C
Scope of delivery	2	pieces
<b>Jaws supplied</b>		
steel, ground		
Gripping area (H x W)	60 x 32	mm

### Accessories required

#### Pneumatic control unit