

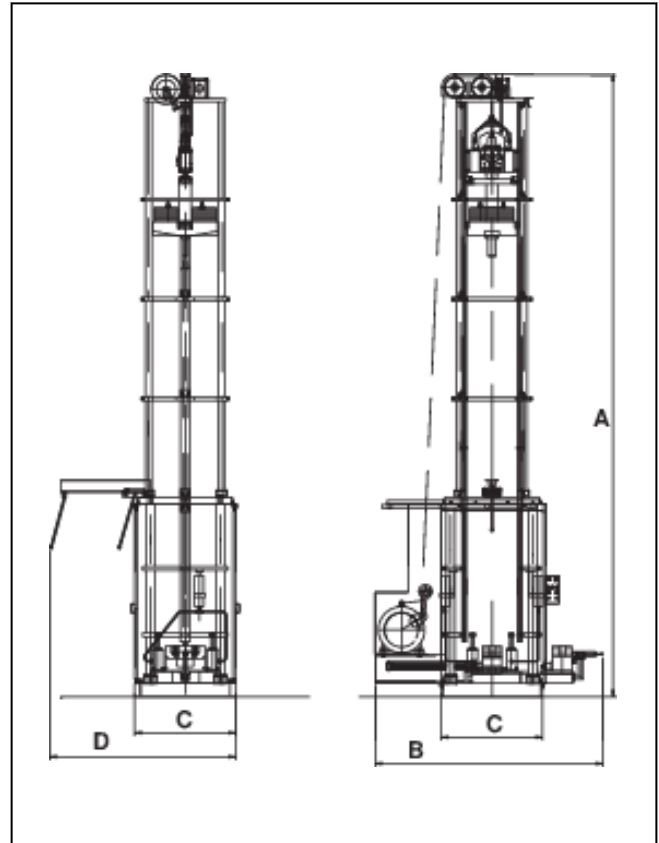
Product Information

ZwickRoell DWT60 / DWT80 / DWT100 high-energy drop weight testers

CTA: 11880 12112



ZwickRoell high energy drop weight testers DWT60 with 2,5 m drop height



Drawing: ZwickRoell high energy drop weight testers DWT60 with 5 m drop height

Range of application

Testing steel steel specimens from 10 to 50 mm as per ASTM E436-71T, API-RP 5 L3 and EN 10274: drop weight test

Advantages and features

- Modular "building block" system with six sizes and two drop-heights.
- Pneumatic specimen feed and fixture loading outside the test area guarantees fast, reliable feeding within the time required by the standard.
- Quick-change system for anvils.
- Flexure table with integrated centering unit. Different specimen thicknesses can be set quickly and easily.
- Electrical and mechanical test-area safeguards with safety circuit - the test does not begin until all safety switch contacts have been interrogated.
- Electronically monitored, pneumatically operated safety interlocking to guard the test area against accidents.

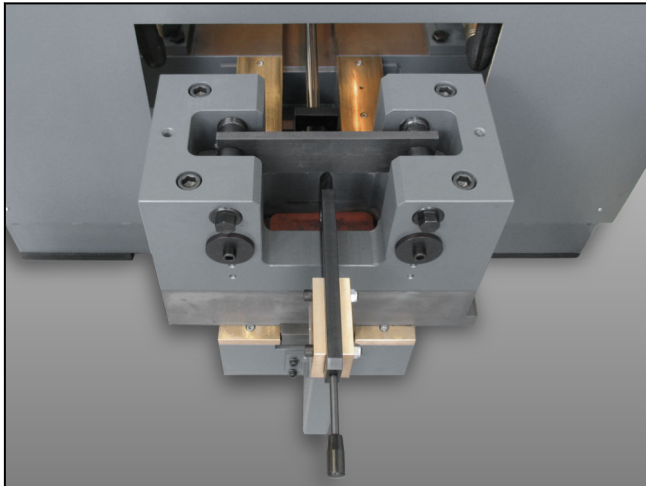
- Touchscreen operation with electronic display of drop height, drop energy, drop weight and impact velocity.
- The steplessly adjustable drop height is automatically achieved after input of drop weight and drop energy.
- The drop weight is divided into individual weights to allow adjustment of drop energy. The weight is measured electronically, eliminating input errors.
- Four high-performance reservoir-type shock absorbers for safe, reliable drop-weight arrest.
- Controlled low-temperature cooler for accurately maintained specimen temperature.
- Plan view of foundation included in delivery.
- The connecting plate, anchor bolts and grout included in delivery can be supplied in advance if required.

PI646 1118

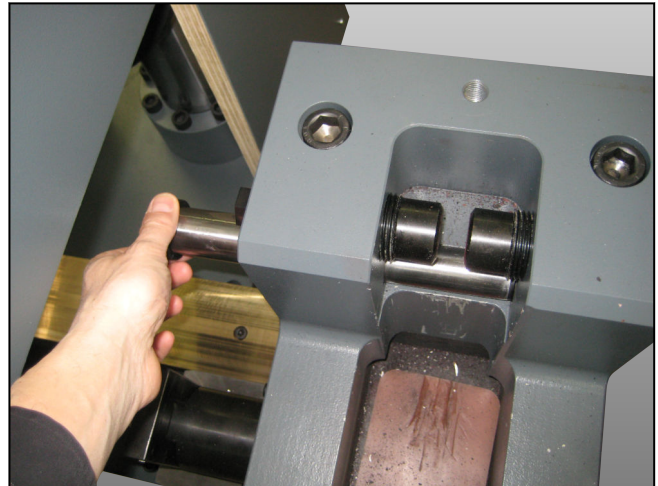
Product Information

ZwickRoell DWT60 / DWT80 / DWT100 high-energy drop weight testers

CTA: 59873 59876



Integrated centering device



Fast adjustment of thickness centering, easy exchange of supports

Model	DWT60-5	DWT80-5	DWT100-5	
Energy	60000 J	80000 J	100,000 J	
Item No.	003972	011273	011272	
Load frame				
Max. drop height	0.5 ... 5	0.5 ... 5	0.5 ... 5	m
Drop weight	1225	1630	2040	kg
Min. drop weight	approx. 831	831	856	kg
Additional single weights				
11.0 kg	6	2	-	pcs.
13.5 kg	-	2	-	pcs.
16.5 kg	-	-	2	pcs.
20.5 kg	-	2	-	pcs.
27.5 kg	12	26	42	pcs.
Total weight	9300	9800	12300	kg
Impact velocity	3.1 ... 9.9	3.1 ... 9.9	3.1 ... 9.9	m/s
Lift-unit speeds				
fast	18	18	18	m/min
slow	3	3	3	m/min
Dimensions				
A - overall height	8000	8000	8580	mm
B - width	3060	3060	3060	mm
C - width	1360	1300	1360	mm
D - width	2500	2500	2500	mm
Foundation dimensions	2550 x 2550	2550 x 2550	3050 x 3050	mm
Max. specimen dimensions				
Length	305	305	305	mm
Width	50	50	50	mm
Height	76	76	76	mm

All data at ambient temperature.

We reserve the right to make technical changes in the course of ongoing development.

Product Information

ZwickRoell DWT60 / DWT80 / DWT100 high-energy drop weight testers

Model	DWT60-5	DWT80-5	DWT100-5	
Energy	60000 J	80000 J	100,000 J	
Item No.	003972	011273	011272	
Low-temperature cooler				
Temperature	-80	-80	-80	°C
Max. temperature variation	±1	±1	± 1	°C
Number of specimens (number @ dimensions)	10 @ (10x77x305)	10 @ (10x77x305)	10 @ (10x77x305)	pcs.
Electrical supply data				
Electrical supply	3x 400	3x 400	3x 400	V, N/PE
Power consumption	11	11	11	kVA
Power supply frequency	50	50	50	Hz
Compressed air	8	8	8	bar
Air consumption	205	205	205	l/min
Ambient temperature	+10 ... +35	+10 ... +35	+10 ... +35	°C
Humidity	20 ... 90	20 ... 90	20 ... 90	%