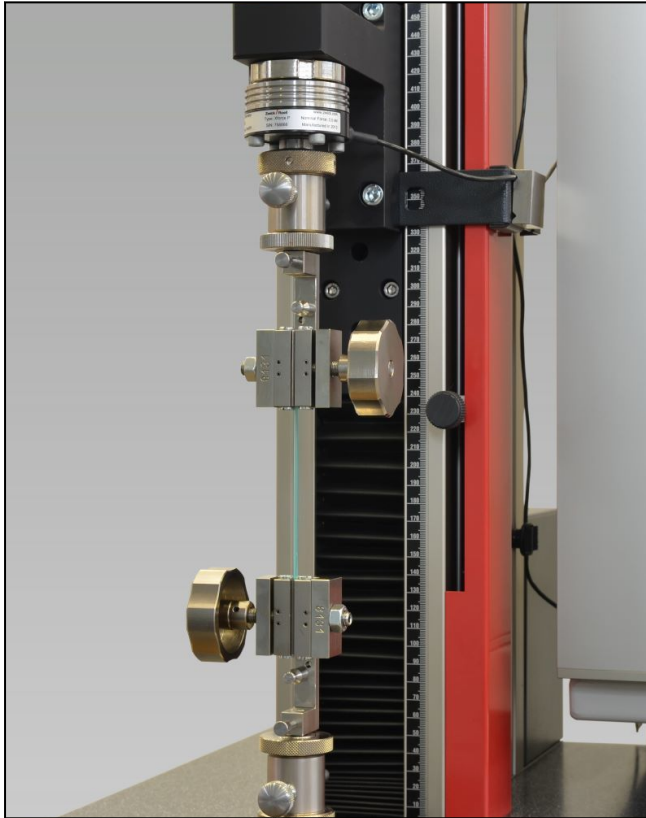


Product Information

Screw grips, Type 8131, Fmax 200 N

CTA: 39410 31929



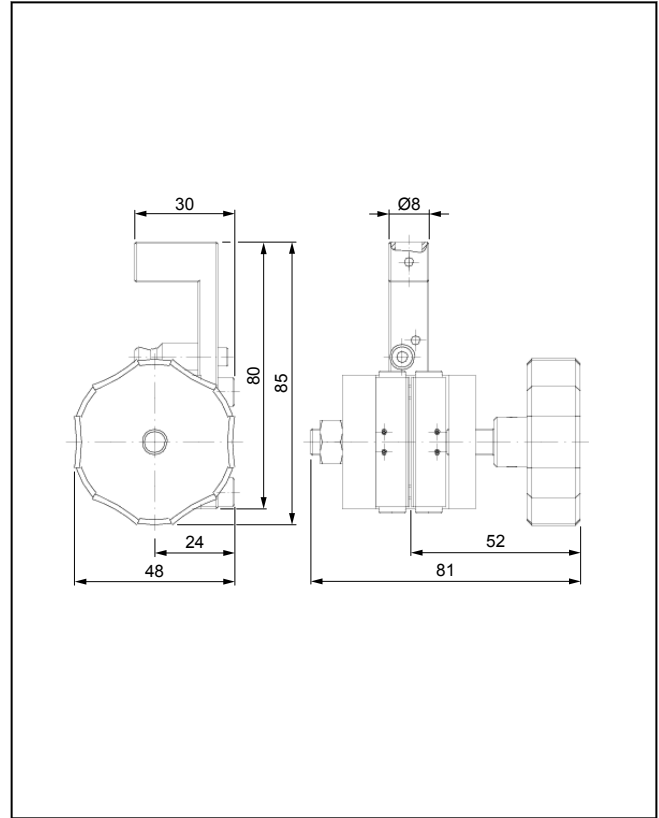
Screw grips type 8131, Fmax 200 N

Applications

- Specimen material:
metals, plastics, textiles
- Specimen shape:
round specimens (wire, threads, yarn) and flat specimens (films, tape)
- Type of loading:
tensile

Function description

This screw grip is a one-sided closing specimen grip. A lead screw is used to open and close the grips, as well as apply gripping force before the test.



Screw grips type 8131, Fmax 200 N, overview

The opposing jaw of the specimen grip is fixed.

Advantages and features

- The lightweight design of the grips allows extensive use to be made of the load cell measurement range.
- Precise test results combined with high number of cycles thanks to centering aid for insertion of wires and threads.
- High jaws ensure gentle gripping of the specimen, avoiding jaw breaks .

Product Information

Screw grips, Type 8131, Fmax 200 N

Technical data

Item No.	313308	
Type	8131	
Test load F_{max}	0.2	kN
Dimensions		
Height	80	mm
HeightWith hand wheel	85	mm
Width	81	mm
Depth	30	mm
DepthWith hand wheel	48	mm
Opening width, max. with jaws	2	mm
Gripping of the specimen	The specimen must be gripped with at least 3/4 of the jaw height.	
Weight per specimen grip, approx.	400	g
Specimen dimensions		
Flat specimen, thickness	0 ... 2	mm
Round specimen, \varnothing	0 ... 2	mm
Gripping area		
Height	38	mm
Width	6	mm
Connection, stud	$\varnothing 8$	mm
Ambient temperature	-70 ... +250 ¹⁾	°C
Scope of delivery	2	piece(s)

1) The ambient temperature may be limited by a smaller jaw temperature range.

Accessories required

Flat jaws

Scope of delivery: 1 set (= 4 pieces)

Application	Version	Gripping area		Ambient temperature [°C]	Hardness	Item No.
		Height [mm]	Width [mm]			
Yarns, softer fine wire	Steel, smooth	38	6	-70 ... +250	61 HRC	313310
Softer wire, metal strip and ribbon	Holes, fsc 0.4 ¹⁾	38	6	-70 ... +250	61 HRC	313312
Softer wire, metal strip and ribbon	Brass/Vulkolan, smooth	38	6	-15 ... +80	95 Shore A	313314

Product Information

Screw grips, Type 8131, Fmax 200 N

Application	Version	Gripping area		Ambient temperature [°C]	Hardness	Item No.
		Height [mm]	Width [mm]			
Thread, yarns plastic tapes, notch-sensitive fine wires	Vulkollan, smooth	38	6	-15 ... +80	95 Shore A	313316
High-strength fine wire	Oxide ceramic, smooth	38	5	-15 ... +80	2300 N/m ² Knoop hardness	313318

1) Fsc = fish scale