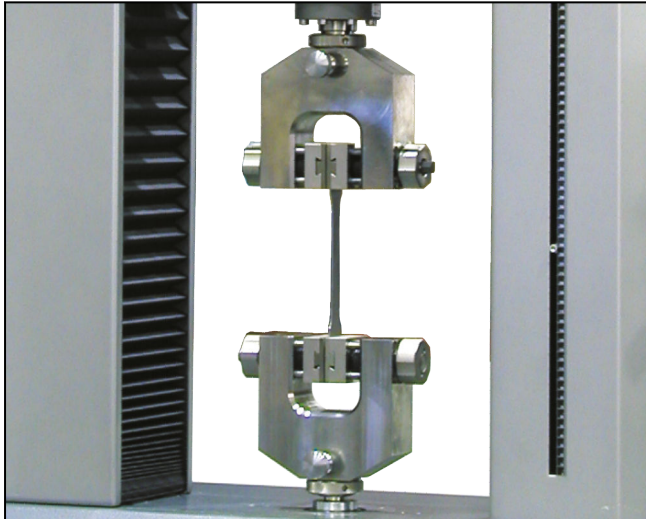


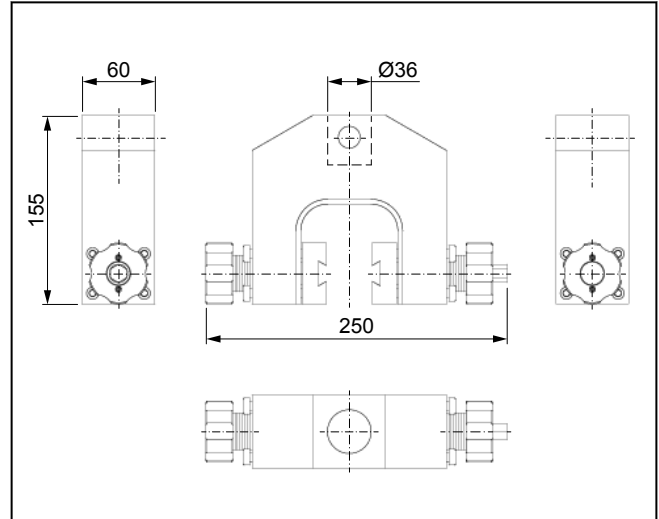
Product Information

Screw grips, Type 8355, Fmax 20 kN

CTA: 39452 39450



Screw Grips, Type 8355, Fmax 20 kN



General view of Type 8355 screw grips, Fmax 20 kN

Applications

- Specimen material:
metals, plastics, textiles, wood
- Specimen shape:
round and flat specimens, asymmetrical specimens, sealed and glued specimens
- Type of loading:
tensile, compression, alternating load

Function description

This screw grip is a one-sided closing specimen grip. A lead screw is used to open and close the grips, as well as apply gripping force before the test.

The opposing jaw of the specimen grip can be adjusted steplessly.

Advantages and features

- Adjustable opposing jaw for fast, easy testing, including joined (asymmetrical) specimens
- If the test configuration changes the jaws can be changed quickly and easily - no tools required. The jaws are centered automatically.

- The use of ball bearings enables secure gripping of the specimen even at low operating forces.
- Large opening width enables flexibility in use.
- Reliable specimen gripping guaranteed even with varying applications. Large range of jaws allows optimum matching of the grips to your application.
- The grips are easy to operate in a temperature chamber and reach the test temperature quickly thanks to their very low mass.
- Ergonomic, open design for fast, easy specimen insertion and clamping

Screw Grip Type 8355 Special Features

- High temperature resistance (-70 to +250 °C) is ideal for use in temperature chambers.
- Integrated jaw mounting.
- An increased closing force is achieved through the axial bearing in the clamping unit.
- Jaws can be changed without tools. Easy side insertion into specimen grip and centering and fixing of jaws follow automatically.

Product Information

Screw grips, Type 8355, F_{max} 20 kN

Technical data

Item No.	318591	
Type	8355	
Operating principle/identification	Opposing jaw can be adjusted steplessly	
Test load F _{max}	20	kN
Gripping force, at 30 Nm tightening torque	40	kN
Gripping distance	1.5	mm
Dimensions		
Height	155	mm
Width	250	mm
Depth	60	mm
Opening width, max. with jaws, thickness 5 mm	25 ¹⁾	mm
Gripping of the specimen	The specimen must be gripped with at least 3/4 of the jaw height.	
Specimen dimensions		
Flat specimen, thickness	0 ... 25	mm
Round specimen, Ø	4 ... 10	mm
Weight per specimen grip, approx.	8	kg
Connection, stud	Ø 36	mm
Ambient temperature	-70 ... +250 ²⁾	°C
Scope of delivery	2	pieces

1) This opening width is the result of using jaws with 5 mm jaw strength.

2) The ambient temperature may be limited by a smaller jaw temperature range.

Accessories required

Jaws required for Type 8355:

Type 8487 jaws