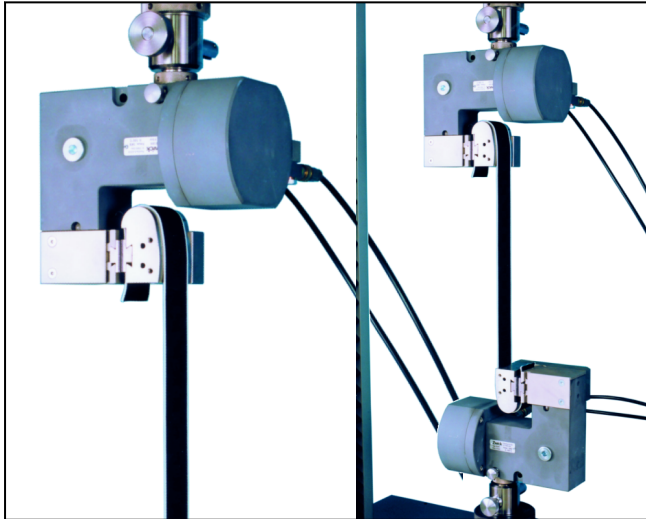


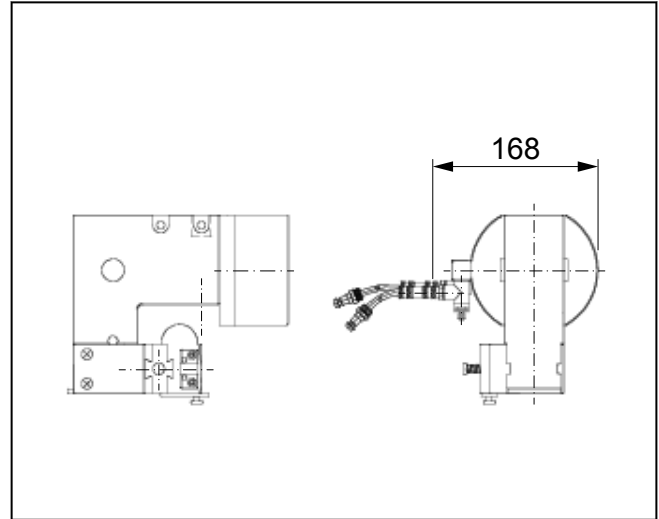
## Product Information

### Capstan grips type 8388 Fmax 5 kN, pneumatic

CTA: 40081 40081 40077



Capstan grips type 8388 Fmax 5 kN, with 180° deflection



Capstan grips type 8388 Fmax 5 kN with 180° deflection, general view

#### Applications

- Specimen material:  
paper, textiles
- Specimen shape:  
single and plied yarns, belts, tapes
- Type of loading:  
tensile

#### Function description

These pneumatic grips for yarn and tire cord are single-actuator grips for clamping fibrous or filamentary tensile specimens.

The load-reduction curve with 180° deflection gently reduces the tensile force before the clamping point. Pneumatic clamping ensures constant gripping force with easy, reproducible adjustment. The specimen is held securely and jaw breaks during the test are avoided.

The pneumatic grips can also be used without the load-reduction curve.

There are two versions:

- for tests at room temperature
- for tests in a temperature range from -70°C to +250 °C.

To ensure that specimens are clamped in the tensile axis the specimen grips have a second connection hole.

#### Advantages and features

- Secure holding of the specimen ensures reliable test results, even with specimens prone to shrinkage.
- High specimen throughput thanks to quick specimen insertion and centering via guide groove.
- Fast, easy two-handed specimen change - grips operated via foot control unit.
- The load-reduction curve ensures gentle gripping with no jaw breaks.
- Interchangeable load reduction curves enable optimum adaptation of the specimen grips to accommodate different specimen materials.
- The jaws can be changed quickly and easily for different applications - no tools required. The jaws are centered automatically.

## Product Information

Capstan grips type 8388 Fmax 5 kN, pneumatic

### Technical data

Type	8388	
Item No.	315008	
Test load $F_{max}$	5	kN
Operating pressure	1 to 10	bar
Closing force at 6 bar	5	kN
Dimensions		
Height	182	mm
Width	238	mm
Depth	130	mm
Depth with connection unit	168	mm
Maximum clamping travel	5	mm
Opening width, max.	5	mm
Connection, stud	Ø 20	mm
Weight per grip unit, approx.	6.6	kg
Ambient temperature	+10 to +35	°C
Scope of delivery	2	pieces

### Accessories required

#### Pneumatic control unit

#### Jaws (1x required)

Type 8487

#### Load-reduction curves (1 x required)

Scope of delivery: 2 pieces

Description	Item number
Steel, smooth with round groove, radius 3 mm, for round specimens, temperature range -70 to +250°C	<b>315020</b>
Steel, smooth, for tapes, temperature range -70 to +250°C	<b>315022</b>
Aluminum, smooth with V-groove, radius 0.1/4 mm, Palitex patent, for yarns/ply yarns, temperature range 0 to +100 °C	<b>317367</b>

### Optional accessories

Detailed description in section "Accessories for pneumatic grips".

Description	Item number
Pressure amplifier for increasing operating pressure, max. input pressure 10 bar, pressure ratio 1:2, flow rate 900l/min, output pressure 2 - 10 bar. For installation in control unit line.	<b>315016</b>
Pressure amplifier for increasing operating pressure, max. input pressure 10 bar, pressure ratio 1:2, flow rate 400l/min, output pressure 2 - 20 bar. For installation in control unit line.	<b>315018</b>