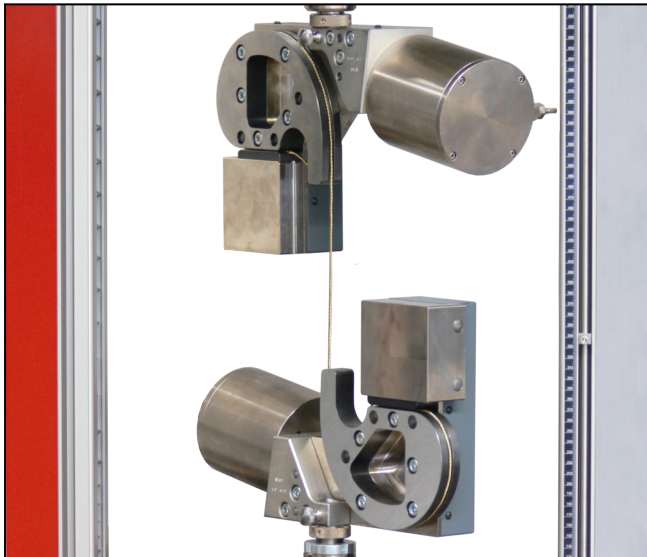


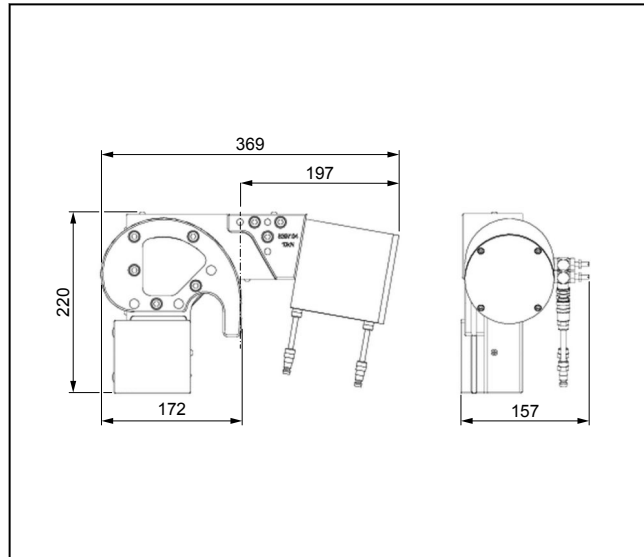
## Product Information

### Capstan grips type 8397 Fmax 10 kN, pneumatic

CTA: 40174 33369



Capstan grips for steel tire cords to BISFA type 8397, Fmax 10 kN



Capstan grips for steel tire cords to BISFA type 8397 Fmax 10 kN, general view

#### Applications

- Specimen material:  
metals, plastics, textiles
- Specimen shape:  
yarn, cord, multifilaments, rovings
- Type of loading:  
tensile
- Standard:  
to BISFA 2002

#### Function description

These pneumatic grips for yarn and tire cord are single-actuator grips for clamping fibrous or filamentary tensile specimens.

The grips are especially suitable for steel tire cords to BISFA.

The load-reduction curve with 270° deflection gently reduces the tensile force before the clamping point. Pneumatic clamping ensures constant gripping force with easy, reproducible adjustment. The specimen is held securely and jaw breaks are avoided.

A guide groove for feeding in the yarn is incorporated into the load reduction roller and basic unit, allowing

the specimen to be positioned in the tensile axis quickly and easily.

The gripping pressure for the specimen grip can be set steplessly and reproducibly via a pneumatic control unit and optionally via the testXpert III testing software. This ensures safe clamping of a variety of materials. The specimen grip is opened and closed via buttons on the testing machine. The optional foot pedal unit or machine remote control can be used for additional operating convenience.

#### Advantages and features

- Secure holding of the specimen ensures reliable test results, even with specimens prone to shrinkage.
- High specimen throughput thanks to quick specimen insertion and exact centering with insertion aid and guide groove.
- Fast, easy two-handed specimen change - grips operated via foot control unit.
- The load-reduction curve ensures gentle gripping with no jaw breaks.
- The symmetrical weight distribution of the grips ensures accurate force measurement.

## Product Information

Capstan grips type 8397 F<sub>max</sub> 10 kN, pneumatic

### Technical data

Type Item No.	8397 1106818	
Operating principle/identification	Pneumatic, single action	
Test load F <sub>max</sub>	10	kN
Gripping force at 6 bar	30	kN
Gripping force at 10 bar	50	kN
Operating pressure	1 ... 10	bar
<b>Dimensions</b>		
Height	220	mm
Width	369	mm
Depth	113	mm
Depthwith connection unit	139	mm
Opening width, max. with jaws	5	mm
Connection, stud	Ø 20	mm
Weight per specimen grip, approx.	12.5	kg
Ambient temperature	+10 ... +35	°C
Scope of delivery	2	piece(s)
<b>Supplied load reduction curve</b>		
Length per load reduction curve	330	mm
Deflection	270	°
<b>Jaws supplied</b>		
Surface	Steel, smooth, hardened	
Length	60	mm
Hardness	58 HRC	

### Accessories required

#### Pneumatic hoses (1x required)

Description	ArticleNumber
Set of pneumatic hoses for connecting a pair of pneumatic grips to a pneumatic control unit	<b>1112640</b>

#### Pneumatic control unit

See section 4.6 Accessories