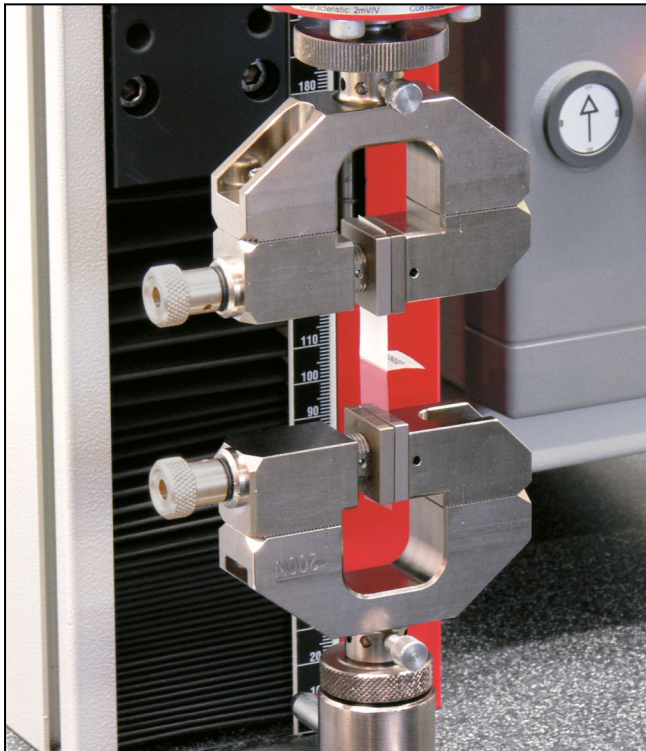


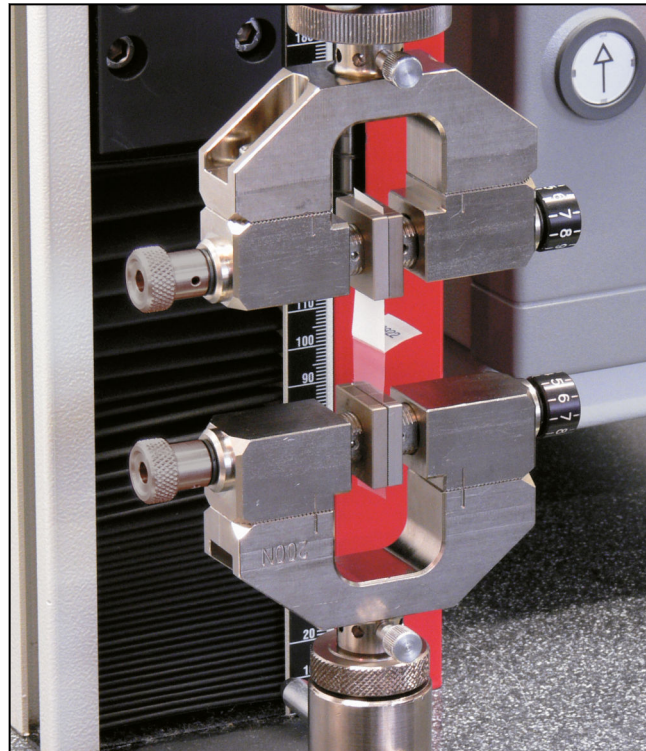
Product Information

Screw grips, Type 8033, Fmax 200 N

CTA: 39411 39412



Type 8033 screw grips, Fmax 200 N, stepped adjustment of opposing jaw



Type 8033 screw grips, Fmax 200 N, stepped & stepless adjustment of opposing jaw

Applications

- Specimen material:
metals, plastics, textiles, paper
- Specimen shape:
round and flat specimens, asymmetrical specimens, sealed and glued specimens
- Type of loading:
tensile, compression, alternating load

Function description

This screw grip is a one-sided closing specimen grip. A lead screw is used to open and close the grips, as well as apply gripping force before the test.

The clamping unit can be adjusted in 1 mm increments using a tool to change the gripping range.

The opposing jaw is different depending on type:

- Step-by-step adjustable: securely mounted, can be adjusted in 1 mm increments with a tool
- Stepless and step-by-step adjustable: adjustable via lead screw, additionally adjustable in 1 mm increments with a tool

The specimen grip can be mounted at 45° and 90°.

Advantages and features

- The lightweight design of the grips allows extensive use to be made of the load cell measurement range.
- Adjustable opposing jaw for fast, easy testing, including joined (asymmetrical) specimens
- If the test configuration changes the jaws can be changed quickly and easily - no tools required. The jaws are centered automatically.
- The use of ball bearings enables secure gripping of the specimen even at low operating forces.
- Large opening width enables flexibility in use.
- The grips are easy to operate in a temperature chamber and reach the test temperature quickly thanks to their very low mass.
- Ergonomic, open design for fast, easy specimen insertion and clamping
- Difficult-to-access components and short specimens can easily be reached by hand thanks to the projecting grips.

PI 729 0818

Product Information

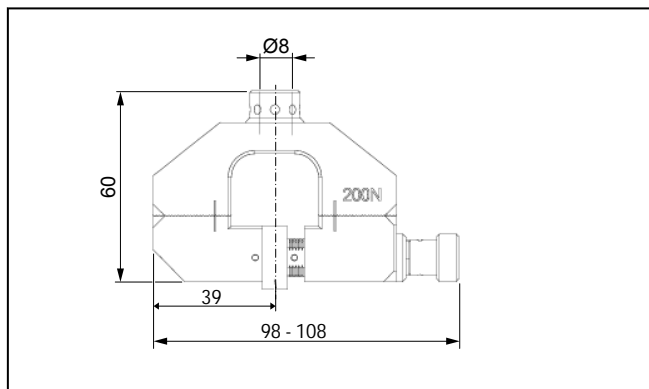
Screw grips, Type 8033, F_{max} 200 N

Technical data

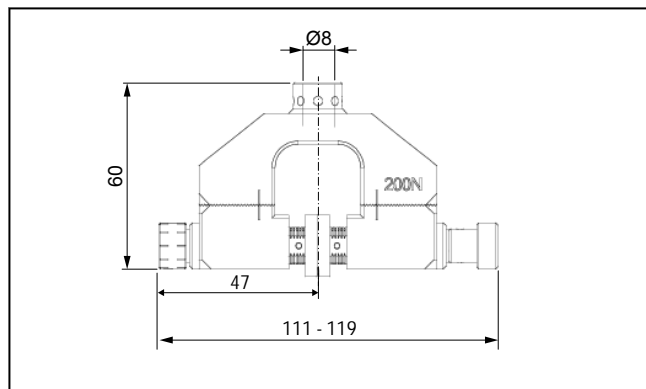
Item No.	025959	032334	025960	032335	
Type	8033	8033	8033	8033	
Opposing jaw adjustment	stepped	stepped	stepless and stepped	stepless and stepped	
Test load F _{max}	0.2	0.2	0.2	0.2	kN
Dimensions					
Height	60	60	60	60	mm
Width	98 to 108	98 to 108	111 to 119	111 to 119	mm
Depth	20	20	20	20	mm
Opening width, max. ¹⁾	18	18	18	18	mm
Specimen gripping	Specimen must be gripped over at least 1/2 of the jaw.				
Weight per specimen grip, approx.	147	147	172	172	g
Connection, pin	Ø 8	Ø 8	Ø 8	Ø 8	mm
Ambient temperature	-70 to +250 ²⁾	-70 to +250 ²⁾	-70 to +250 ²⁾	-70 to +250 ²⁾	°C
Scope of delivery	2	1	2	1	pieces

- 1) This standard opening width is the product of using jaws 4mm thick, with jaw and opposing jaw adjusted outwards. If only the opposing jaw is adjusted outwards (adjustment range up to 9 mm) the resultant maximum opening width is 14 mm.
- 2) The temperature range may be limited by a smaller jaw temperature range.

CTA: 31931 31930



General view of Type 8033 screw grips with stepped adjustment for opposing jaw

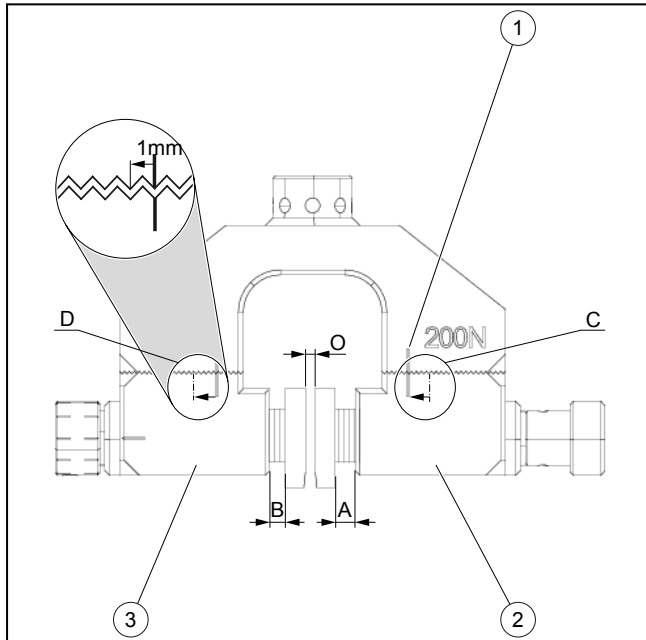


Type 8033 screw grips with stepless and stepped adjustment for opposing jaw, general view

Product Information

Screw grips, Type 8033, Fmax 200 N

CTA: 39415



Adjustment ranges of screw grips and opening width

- 1** Setting marks for stepped adjustment
- 2** Gripping unit
- 3** Opposing jaw
- A** Clamping stroke of clamping unit (max. 5mm)
- B** Stepless adjustment range, only for opposing jaws with stepless adjustment (max. 5 mm)
- C** Stepped adjustment range of clamping unit: the unit can be released via screws and adjusted from the normal position in 1mm increments.
- D** Stepped adjustment range of opposing jaw: this has the same adjustment capability as the clamping unit (C).
- O** Opening width with grip inserts

Accessories required

Jaws (1x required)

Scope of delivery. 1 set = 4 pieces

Version	Gripping area (H x W) [mm]	Ambient temperature [°C]	Hardness	Item No.
Vulkollan, smooth	20 x 20	-15 to +80	95 Shore A	025963
Vulkollan, smooth	20 x 30	-15 to +80	95 Shore A	027959
Aluminum convex/ Vulkollan, smooth	20 x 20	-15 to +80	80 HB/95 Shore A	025964
Fish sc. ¹⁾ 0.4	17 x 20	-70 to +250	61HRC	025965

1) Fish sc. = Fish scale