

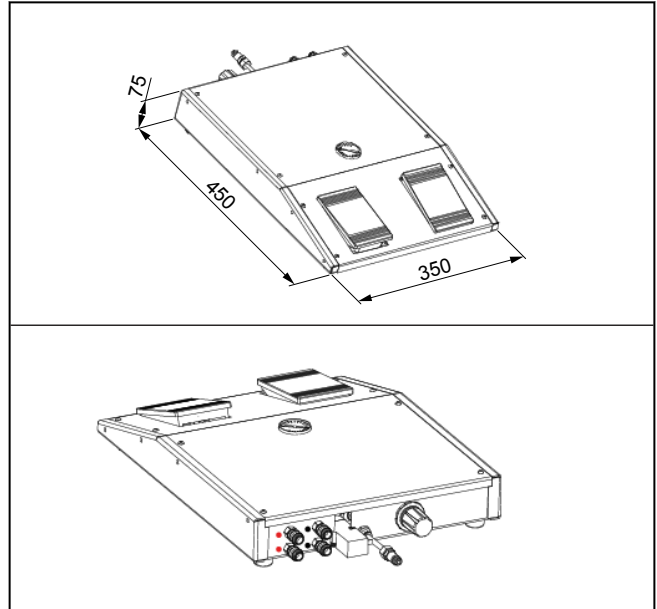
## Product Information

### Pneumatic control units

CTA: 43208 34349 34358



Control via foot switch (Item No. 057427)



Control via foot switch (Item No. 057427): general view and rear view

#### Applications

- This pneumatic control unit can be used in conjunction with all pneumatic grips from the ZwickRoell range.
- Ideal for dimensionally unstable, clamping-sensitive specimens prone to slight slippage, even with specimen thickness reduction.
- The perfect aid for high specimen throughput and frequently changing specimen material.

#### Optimum gripping and convenience

- Specimens are always gripped and held perfectly, regardless of the properties of the specimen material, ensuring reliable test results and short cycle-times.
- Constant, reproducible gripping force, even with specimen thickness reduction or pressure fluctuations in the compressed-air system.
  - High gripping forces enable easy clamping of specimens prone to slight slippage.
  - Foot control leaves your hands free, for example for dimensionally unstable specimens.
  - Hard-anodized rocker pedals ensure convenient operation.
  - Closing pressure is indicated via a manometer on the control unit, with stepless adjustment from 3 bar to 10 bar.

#### Maximum safety

The ZwickRoell pneumatic control unit satisfies all legal requirements\*. The following functions guarantee maximum safety for the operator:

- Inching mode, closing movement of the jaws only as long as the pedal is being operated. In the event of a hazardous situation, removing your foot from the pedal will cause the grips to switch to a safe condition immediately.
- The maximum closing speed of 10 mm/s gives time to react and is independent of the supply pressure.
- Reduced pressure during the closing process provides additional safety.
- Electrical interlocking with the machine Emergency STOP ensures system-wide safety.
- If the air or electricity supply is interrupted the grips will not make any uncontrolled movement but will remain in safe condition.

\*e.g. Machinery Directive 2006/42/EC, BIA Fact Sheet/Worksheet 330 216

## Product Information

### Pneumatic control units

#### Technical data

Type	Pneumatic control unit	
Item no.	057427	
Dimensions		
Height	75	mm
Width	350	mm
Depth	450	mm
Pressure display gauge	yes	
Specimen grips closing speed	10 mm/s (600 mm/min)	
Inlet pressure	3 to 10	bar
Permissible, adjustable operating pressure	3 to 8	bar
Connector, supply	NW7 nipple	
Specimen grips connection	NW5 coupling	
Ambient temperature	+10 to +35	°C
Weight, approx.	14	kg
CE conformity	yes, yes, according to machine guidelines 2006/42/EG	