

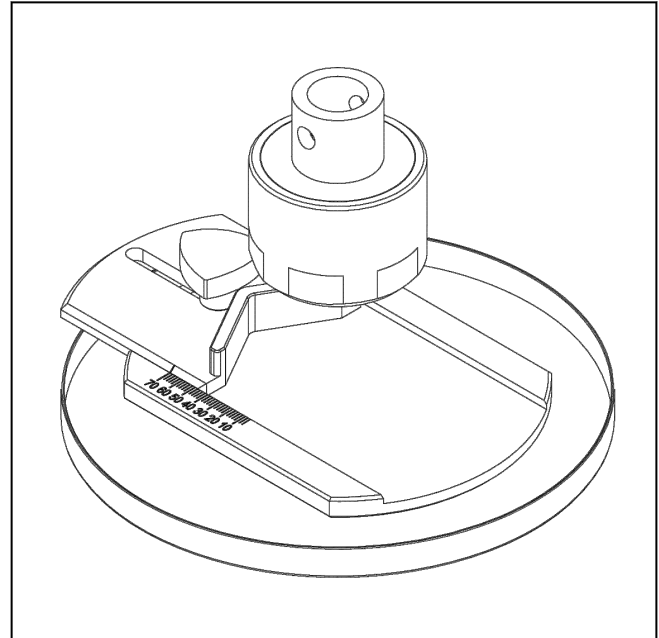
## Product Information

### Fixture for determining the residual seal force (RSF)

CTA: 218944 212491



Fixture for determining the residual seal force



#### Applications

Indirect residual seal force on medical vials. The residual seal force (RSF) is the force with which the rubber stopper between the flanged cap and the neck of the vial is braced. This force measurement provides an indirect indication of the present security of the vial closure. However, these measurements must be correlated with established tests that examine the seal integrity of the stopper.

#### Advantages and features

- The fixture consists of a retaining plate for supporting the vial. The integrated prism serves as a centering aid with a scale used to read a vial diameter of 6 mm to 70 mm.
- Fixture available with inserts and compression dies of various diameters (8.0 mm; 13.8 mm; 20.7 mm; 28.5 mm; 32.94 mm). For the respective test, the die diameter should correspond with the protective cap diameter.
- The modular design allows the various inserts to be changed quickly and easily.
- an upper compression test kit with locking nut for pre-positioning the die holds the compression die.
- Load is applied via a ball joint to compensate for deviations from parallel up to approximately 1°.
- Collection tray for liquid.
- Use only in conjunction with a safety device.

## Product Information

### Fixture for determining the residual seal force (RSF)

#### Technical data

Type Item No.	Test fixture for determining the residual seal force 1080859	
Test load $F_{max}$	500	N
Dimensions		
Mounting with compression die		
Height	72	mm
Retaining plate with lower connector		
Height	35	mm
Width	180	mm
Depth	160 ... 191	mm
Vial diameter	Ø6 ... Ø70	mm
Collection volume for safety collection tray	200	ml
Ambient temperature	+10 ... +35	°C
Connection	Bolt Ø 20 mm	
Weight, approx.	3.6	kg

#### Accessories

Description	Item number
Compression die Ø 8 mm	<b>1080865</b>
Compression die Ø 13.8	<b>1080867</b>
Compression die Ø 20.7 mm	<b>1080868</b>
Compression die Ø 28.5 mm	<b>1080869</b>
Compression die Ø 32.94 mm	<b>1080870</b>
Compression die set - (Ø 8; 13.8; 20.7; 28.5; 32.94 mm)	<b>1080871</b>
Extension Ø 20 mm	<b>314000</b>



#### NOTE

Please add an extension if further tools in addition to RSF are to be used.